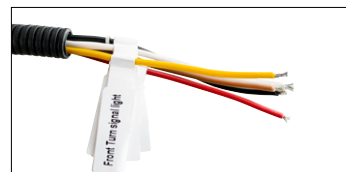
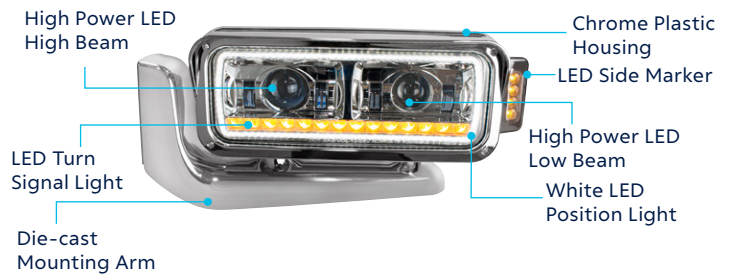


## High Power LED Projection Headlight Assembly With Mounting Arm & Turn Signal

### Peterbilt 379 & Custom Applications

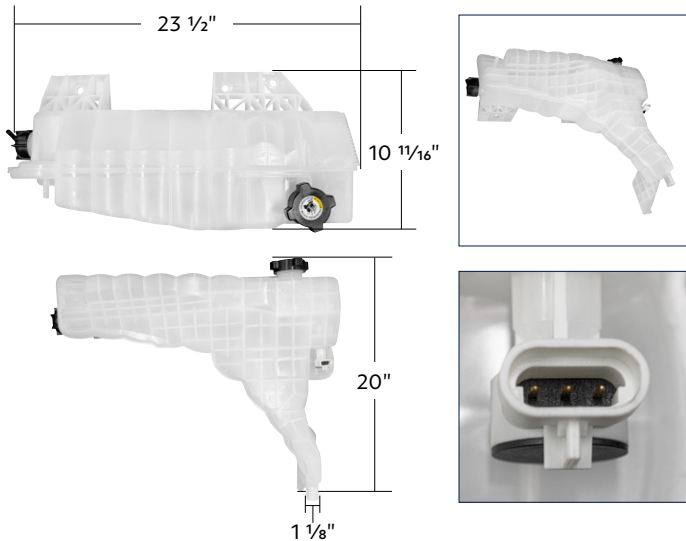
- 6 LED dual function headlight assembly with chrome plastic housing and die-cast mounting arm
- Features a 98 CREE type white LED auxiliary light, 14 LED amber front facing turn/parking light, and a 14 LED amber turn/side marker side pod
- Direct replacement for Peterbilt 379, other models such as 357/359/365/367/378/389/567 will require minimal modification to hood for mounting hole alignment
- Also great for any custom applications
- Easy installation with OE spec threaded mounting holes
- Includes weather resistant 18" long stainless steel wiring loom for electrical hookup
- Additional tools and hardware included: socket wrench (13mm & 10mm), wire stripper, roll of electrical tape, M6 & M8 thread size hex bolts with matching split and flat washers, and single quick-splice wire connector
- DOT/SAE, FMVSS 108



### Technical Specification

Low Beam Application	High Beam Application
1,500 Lumens	2,000 Lumens
1.94 Amps @ 12-24V DC	3.91 Amps @ 12-24V DC

<b>35911</b>	Driver	Chrome	1 Pc. / Cbox
<b>35912</b>	Passenger	Chrome	1 Pc. / Cbox
<b>35913</b>	Driver	Black	1 Pc. / Cbox
<b>35914</b>	Passenger	Black	1 Pc. / Cbox

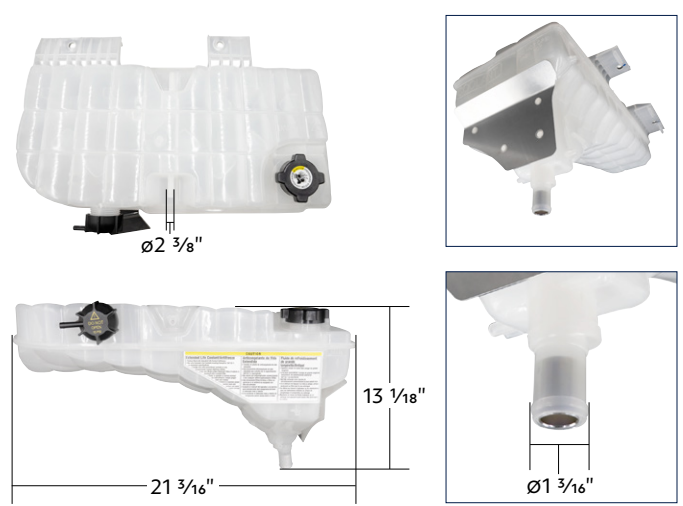


### Pressurized Coolant Reservoir & Coolant Level Sensor

**2013-2021 Peterbilt 579 & Kenworth T680**

- Quality injection molded plastic
- Includes reservoir cap and coolant level sensor
- Also fits Kenworth T880
- Direct replacement for OEM part number DR104002, CP237001, DR104003

**26000 Coolant Reservoir & Level Sensor** 1 Pc. / Wbox

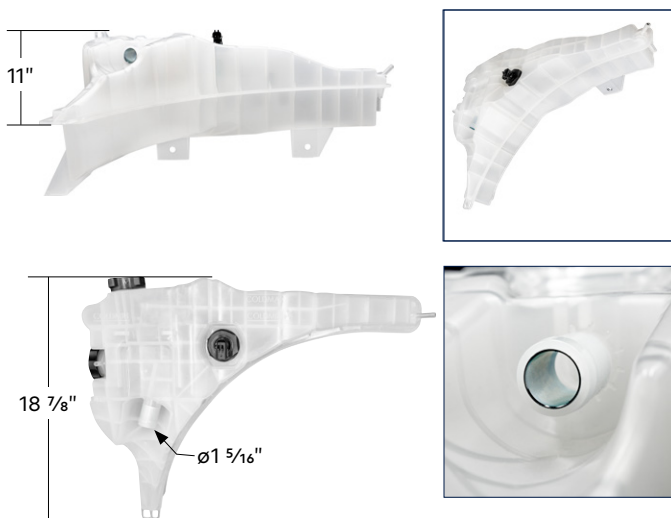


### Pressurized Coolant Reservoir & Coolant Level Sensor

**2008-2022 Peterbilt 389 & Kenworth W900**

- Quality injection molded plastic
- Includes reservoir cap and coolant level sensor
- Also fits Peterbilt 367, 365 & Kenworth T800
- Direct replacement for OEM part numbers N5346001, T1673008, T1673009

**26001 Coolant Reservoir & Level Sensor** 1 Pc. / Wbox

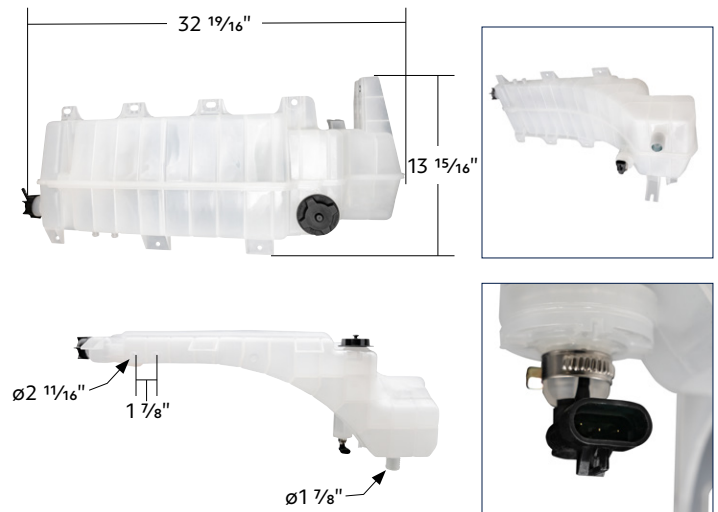


### Pressurized Coolant Reservoir & Coolant Level Sensor

**2008-2017 Freightliner Cascadia**

- Quality injection molded plastic
- Includes reservoir cap and coolant level sensor
- Also fits Freightliner Century, Columbia, M2
- Direct replacement for OEM part numbers A05-25263-005, A05-25263-006, A05-25263-007, A05-33118-000

**26002 Coolant Reservoir & Level Sensor** 1 Pc. / Wbox

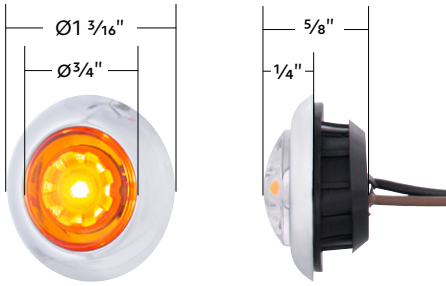


### Pressurized Coolant Reservoir & Coolant Level Sensor

**2008-2017 Volvo VNL/VNM**

- Quality injection molded plastic
- Includes reservoir cap and coolant level sensor
- Also fits Volvo VHD & Mack Pinnacle CHU613/CXU613
- Direct replacement for OEM part numbers 20881601, 20968795, 21038101, 21074555, 21314361, 21513979, 22061288, 22564835, 22061290, 23911823, 21846997

**26003 Coolant Reservoir & Level Sensor** 1 Pc. / Wbox



34820



34821



34822



34823



### LED Dual Function ArcBlast Mini Light (Clearance/Marker)

**Universal Fit**

- Single super bright LED with stainless steel bezel
- Dual functions with high and low brightness
- Polycarbonate lens epoxy sealed to housing to prevent moisture intrusion
- Requires 3/4" diameter hole for installation
- Mounts with included rubber grommet
- 12V DC, straight forward 3 wire hookup



<b>34820</b>	<b>Amber LED</b>	<b>Amber Lens</b>	1 Pc. / Card
<b>34821</b>	<b>Red LED</b>	<b>Red Lens</b>	1 Pc. / Card
<b>34822</b>	<b>Amber LED</b>	<b>Clear Lens</b>	1 Pc. / Card
<b>34823</b>	<b>Red LED</b>	<b>Clear Lens</b>	1 Pc. / Card



### Wood Armrest With SS Window Sill Mounting Plate

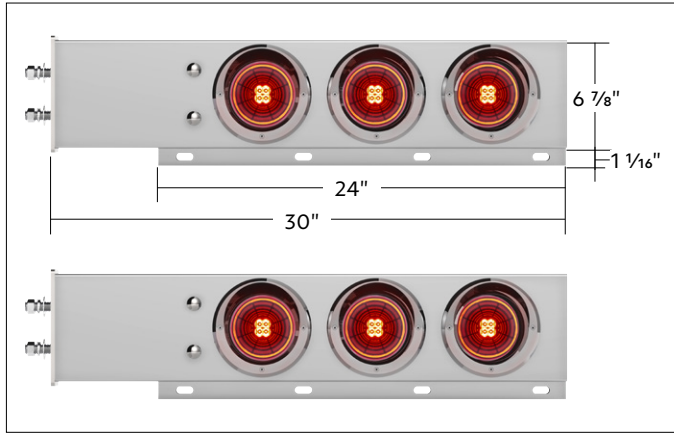
**2003-2005 Peterbilt**

- Hand crafted wood armrest
- High quality stainless steel window sill mounting plate with beautiful polished finish
- Beautifully polished to a mirror like finish



<b>88070</b>	<b>Wood Armrest</b>	1 Pair / Cbox
--------------	---------------------	---------------

61024



61025



61027



61028



## Abyss Light™

### 2-1/2" Bolt Pattern Chrome Spring Loaded Bar with Six 4" 13 LED Abyss Lights (Pair)

#### Abyss Lights

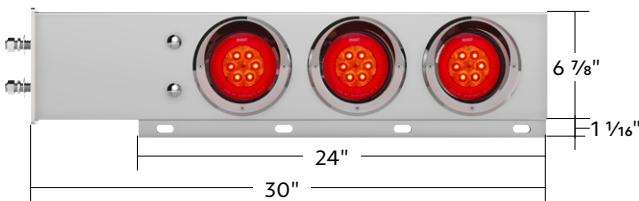
- Beautiful chrome plated finish w/ triple chrome plating process
- Pre-assembled and wiring with six unique United Pacific LED Abyss lights
- 2-1/2" Center to center mounting bolt pattern

61024	Red LED/Red Lens	W/ Visor	1 Pair / Cbox
61025	Red LED/Clear Lens	W/ Visor	1 Pair / Cbox
61027	Red LED/Red Lens	W/ Grommet	1 Pair / Cbox
61028	Red LED/Clear Lens	W/ Grommet	1 Pair / Cbox

61026



61029



## Turbine Light

### 2-1/2" Bolt Pattern Chrome Spring Loaded Bar with Six 4" 16 LED Turbine Lights (Pair)

#### Turbine Lights

- Beautiful chrome plated finish w/ triple chrome plating process
- Pre-assembled and wiring with six unique United Pacific LED Turbine lights
- 2-1/2" Center to center mounting bolt pattern

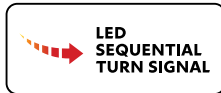
61026	Red LED/Red Lens	W/ Visor	1 Pair / Cbox
61029	Red LED/Red Lens	W/ Grommet	1 Pair / Cbox

## Chrome Hood Mirror Assembly W/ Sequential LED Turn Signal

2013-2021 Kenworth T680 & Peterbilt 579

- Quality injection molded plastic for durability
- Features 33 bright amber CREE type LEDs under clear lens
- Dual function position and turn signal light embedded in mirror cover
- Sequential turn signals perform a full sweep from inside to outside
- Convex mirror with wide angle optics
- Designed for OE fit
- Features heated lens with original style plug
- Includes waterproof connection for other United Pacific headlights (35741 series)
- Also includes 4 nylon locknuts for installation
- Also fits Kenworth 2013-2021 T880, and 2022+ new body style T680 with existing hood mirror
- Wiring color code: Black=Ground, Red=Position light, Yellow=Turn signal
- DOT/SAE, FMVSS 108
- IP67 water resistant

<b>42240</b>	<b>Driver</b>	1 Pc. / Cbox
<b>42241</b>	<b>Passenger</b>	1 Pc. / Cbox

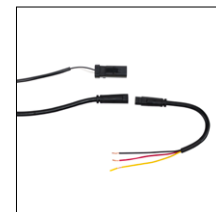


## Stainless Steel Hood Mirror Assembly W/ Sequential LED Turn Signal

2013-2021 Kenworth T680 & Peterbilt 579

- Features 39 bright amber CREE type LEDs under clear lens
- Dual function position & turn signal light embedded in mirror cover
- Sequential turn signals perform a full sweep from inside to outside
- Convex mirror with wide angle optics
- Designed for OE fit
- Includes waterproof connection for other United Pacific headlights (35741 & 35745 series)
- Also fits Kenworth 2013-2021 T880
- Foam gasket pad included
- Wiring: Black=Ground, Red=Position light, Yellow=Turn signal
- DOT/SAE FMVSS 108
- IP67 water resistant

<b>42246</b>	<b>Driver</b>	1 Pc. / Cbox
<b>42247</b>	<b>Passenger</b>	1 Pc. / Cbox





**8-1/2" Stainless Steel 320R Convex Mirror with Offset Mounting Stud**

**320R Convex Mirror**

- 430 grade stainless steel housing
- 320R contour radius convex mirror glass
- Helps to improve visibility and reduce accidents
- Universal application, left or right hand installation

**60035** 8-1/2" SS 320R Convex Mirror 1 Pc. / Cbox



**8-1/2" Chrome 320R Convex Mirror with Offset Mounting Stud**

**320R Convex Mirror**

- Beautiful chrome plated metal housing
- 320R contour radius convex mirror glass
- Helps to improve visibility and reduce accidents
- Universal application, left or right hand installation

**60049** 8-1/2" Chrome 320R Convex Mirror 1 Pc. / Cbox



**8-1/2" Convex Mirror With Stainless Tripod Fender Mirror Bracket**

**320R Convex Mirror**

- Convex mirror helps improve visibility and reduce accidents
- Stainless steel mirror housing and mounting arms
- Base mounting studs w/ large cup washers & nuts included
- 3 adjustable arms for most hood & fender applications

**60036** 8-1/2" 320R Convex Mirror 1 Pc. / Cbox

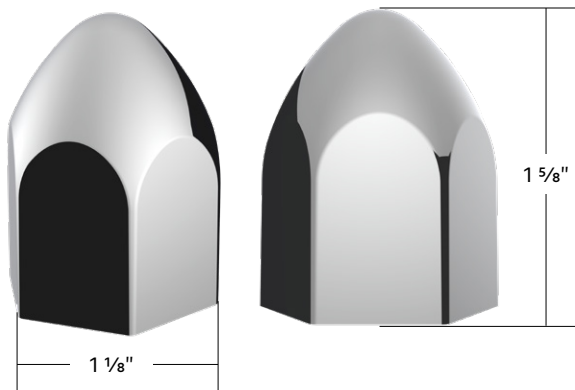


**Stainless Steel Hood Mount Mirror**

**320R Convex Mirror**

- Stainless steel 8-1/2" hood mount convex mirror
- Improves visibility and reduces accidents
- Adjustable retractable arms
- Universal application, left or right hand installation

**60037** Hood Mount Mirror 1 Pc. / Cbox



### 15/16" X 1-5/8" Chrome Plastic Bullet Nut Cover - Push-On

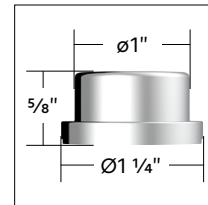
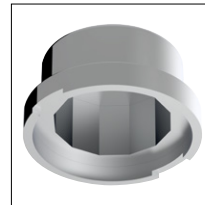
#### Push-On Nut Cover

- Chrome plastic bullet push-on nut cover for hex nuts & bolts
- Beautiful high quality chrome plated finish w/ triple chrome plating process
- Available without flange
- Sold individually

**10076** Chrome Plastic Bullet Nut Cover 1 Pc. / Each



**10**  
PACK

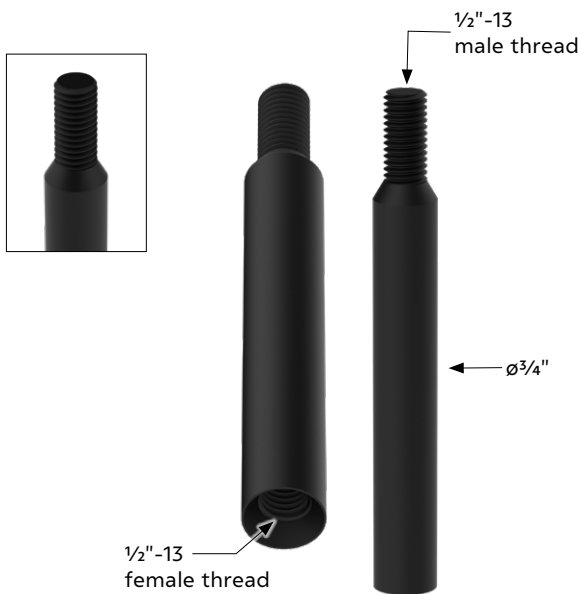


### 3/4" X 5/8" Chrome Plastic Flat Top Nut Covers - Push-On (10-Pack)

#### Push-On Nut Cover

- Beautiful high quality chrome plated finish w/ triple chrome plating process
- Chrome plastic flat top push-on nut cover for hex nuts & bolts
- Available in various sizes and height
- Available without flange
- Convenience pack, includes 10 nut covers to dress up 1 wheel

**10755** Chrome Plastic Top Nut Cover 10 Pc. /Cbox



### 6" Matte Black Shifter Shaft Extension

#### Matte Black

- Ultra high-quality finish for durability
- 3/4" diameter thick, machined 1/2"-13 male & female threads
- For off-road and show use only

**21800** Shifter Shaft Extension 1 Pc. / Card



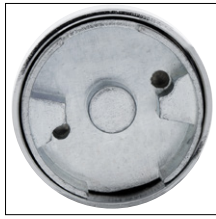
### 6" Gloss Black Shifter Shaft Extension

#### Gloss Black

- Ultra high-quality finish for durability and shine
- 3/4" diameter thick, machined 1/2"-13 male & female threads
- For off-road and show use only

**21939** Shifter Shaft Extension 1 Pc. / Card

9/10 Speed



**NEW & IMPROVED!**

**1/2"-13 Thread-On Shift Knob Mounting Adapter For Eaton Fuller Style 9/10 Shifter - Chrome (Bulk)**

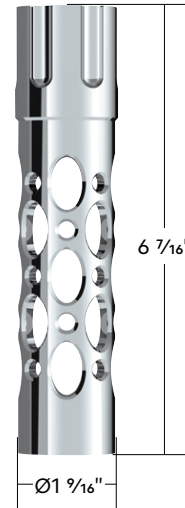
**Eaton Fuller Style**

- Quality die-cast zinc thread-on type adapter with high quality chrome plating
- Fits United Pacific shift knobs or handles with 1/2"-13 female thread
- Removable thread locking sealant included
- Not compatible with models equipped with D-shape shift knobs

**70799B** Thread-On Knob Mounting Adapter 1 Pc. / Each



M30X3.5 female thread



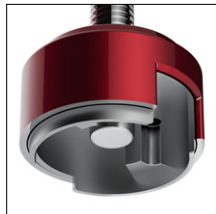
**M30X3.5 Thread-On Austin Style Gun Cylinder Gearshift Knob - Chrome**

**Austin Style**

- High quality, CNC machined aluminum with M30X3.5 female threads
- Removable thread locking sealant included
- Designed to work with any M30X3.5 male threaded adapters

**70890B** M30X3.5 Gun Cylinder Gearshift Knob 1 Pc. / Each

13/15/18 Speed



**1/2"-13 Thread-On Shift Knob Mounting Adapter For Eaton Fuller Style 13/15/18 Shifter (Bulk)**

**Eaton Fuller Style**

- Quality die-cast zinc thread-on type adapter with high quality chrome plating
- Fits United Pacific shift knobs or handles with 1/2"-13 female thread
- Removable thread locking sealant included
- Not compatible w/ models equipped w/ D-shape shift knobs
- Premium automotive paint in vibrant dazzling candy color with bold effects

<b>70880B</b>	Cadmium Orange	1 Pc. / Each
<b>70881B</b>	Indigo Blue	1 Pc. / Each
<b>70882B</b>	Emerald Green	1 Pc. / Each
<b>70883B</b>	Candy Red	1 Pc. / Each
<b>70884B</b>	Liquid Silver	1 Pc. / Each
<b>70885B</b>	Pearl White	1 Pc. / Each
<b>70886B</b>	Electric Yellow	1 Pc. / Each



**70880B**



**70881B**



**70882B**



**70883B**



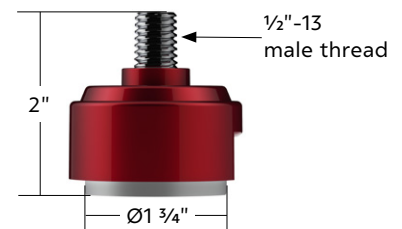
**70884B**



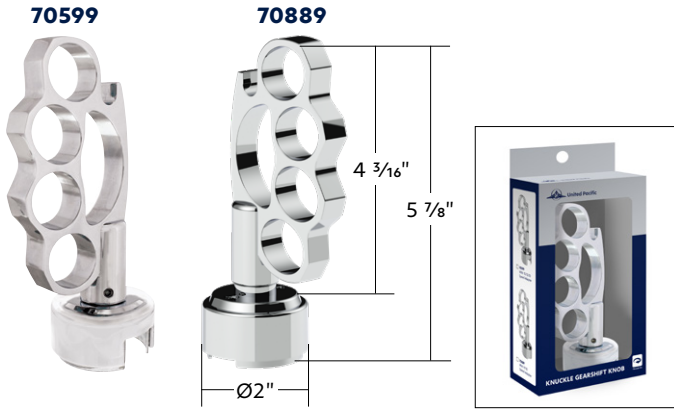
**70885B**



**70886B**







**NEW**  
COLOR BOX DESIGN

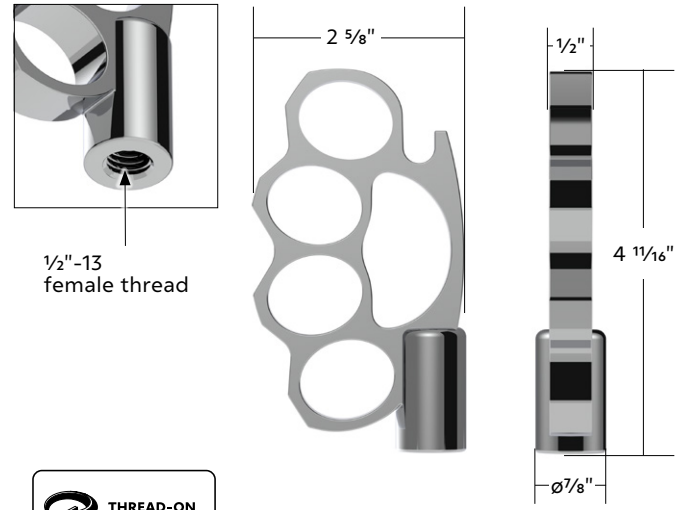
**NEW & IMPROVED!**

### Thread-On Knuckle Gearshift Knob With Chrome Speed Adapter - Chrome

#### Knuckle Gearshift Knob

- Quality die-cast zinc thread-on type knob and adapter with high quality chrome plating
- Includes inner mounting base with two cover-to-base mounting screws
- Removable thread locking sealant included
- Not compatible w/ models equipped w/ D-shape shift knobs

<b>70599</b>	<b>13/15/18 Speed Adapter</b>	1 Pc. / Cbox
<b>70889</b>	<b>9/10 Speed Adapter</b>	1 Pc. / Cbox

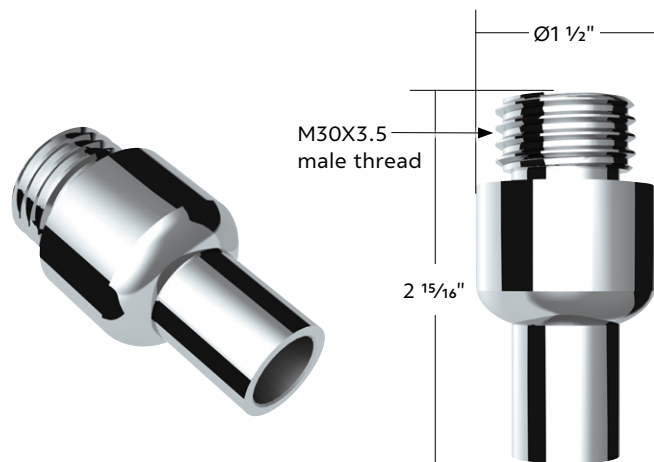


### 1/2"-13 Thread-On Knuckle Gearshift Knob - Chrome

#### Knuckle Gearshift Knob

- Quality die-cast zinc thread-on type knob and adapter with high quality chrome plating
- Fits United Pacific shift knobs or handles with 1/2"-13 female thread
- Removable thread locking sealant included
- Not compatible w/ models equipped w/ D-shape shift knobs

<b>70888B</b>	<b>Knuckle Gearshift Knob</b>	1 Pc. / Each
---------------	-------------------------------	--------------

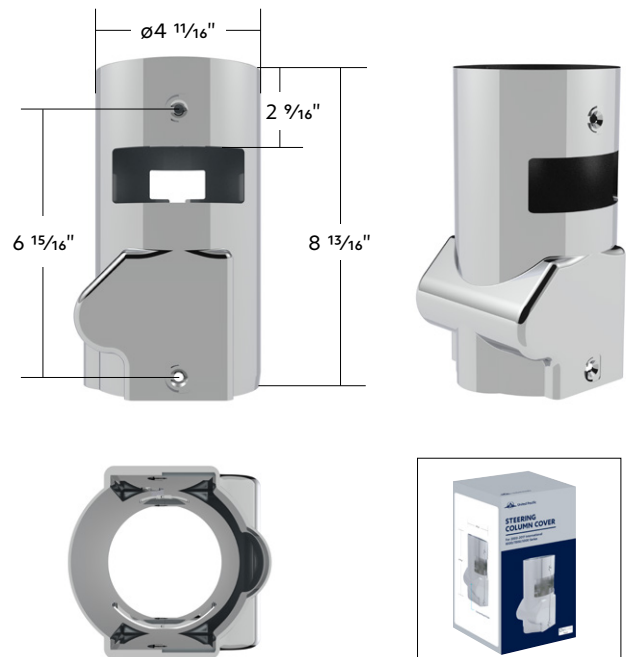


### Chrome Aluminum Air Valve Adapter With M30X3.5 Threads

#### Air Valve Adapter

- Beautiful chrome plated finish w/ triple chrome plating process
- Quality aluminum with beautiful chrome plating
- Machined M30X3.5 threads for use with any United Pacific's M30 thread-on knobs or grips
- Standard air valve threads for easy installation to any air valve control

<b>23006B</b>	<b>Air Valve Adapter</b>	1 Pc. / Each
---------------	--------------------------	--------------



### Chrome Middle Steering Column Cover

#### 2000-2017 International 8000/7000/5000 Series

- Quality injection molded plastic for durability
- Beautiful triple chrome plated finish
- Easy install with original mounting hole positions

<b>40934</b>	<b>Middle Steering Column Cover</b>	1 Pc. / Cbox
--------------	-------------------------------------	--------------



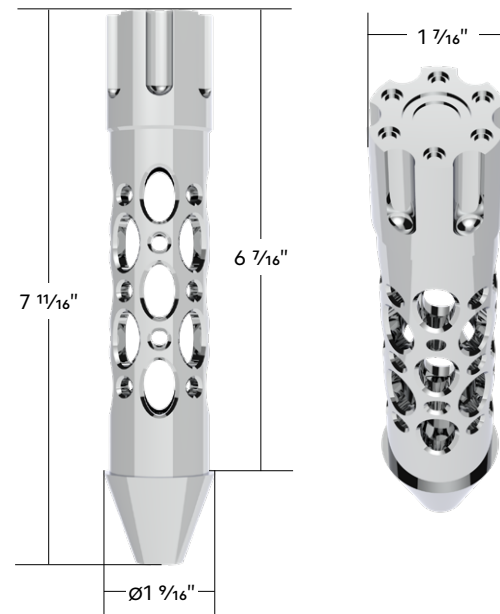
**NEW & IMPROVED!**

### Chrome Grab Handle Kit

#### Chrome Grab Handle Kit

- Quality die-cast with beautiful chrome plated finish
- Heavy duty, suitable to any applications
- Kit includes: 1 chrome grab handle, 2 rubber gaskets and 4 socket head 1" long 1/4"-20 screws with nylon insert locknuts
- Grab handle can be purchase separately without mounting hardware, item #10958

**10960** Chrome Grab Handle Kit 1 Pc. / Card



### Austin Style Grip Handle With Beer Tap Adapter - Chrome

#### Austin Style

- Beautiful chrome plated finish w/ triple chrome plating process
- High quality CNC machined grip handle and adapter
- 3/8"-16 female thread for use with most beer faucet (faucet not included)

**70896** Grip Handle w/ Beer Tap Adapter 1 Pc. / Card



### Truck Steering Wheel Catalog, 2nd Edition

#### Truck Steering Wheel Catalog

- Our best collection of steering wheels design and accessories
- Also available as digital download on our web site's Catalogs & Flyers section

**UCSW02** Truck Steering Wheel Catalog 1 Pc. / Each



### 2022 Truck New Product Collection

#### New Product Collection

- Collection of United Pacific's 2022 new products

**UF1222** 2022 Truck New Product Collection 1 Pc. / Each